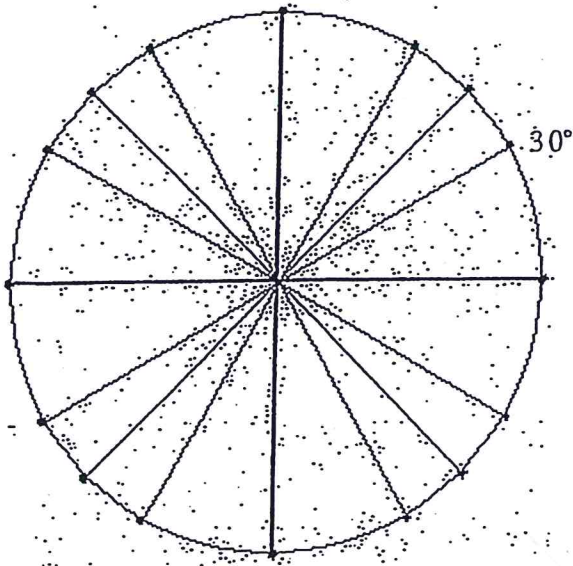
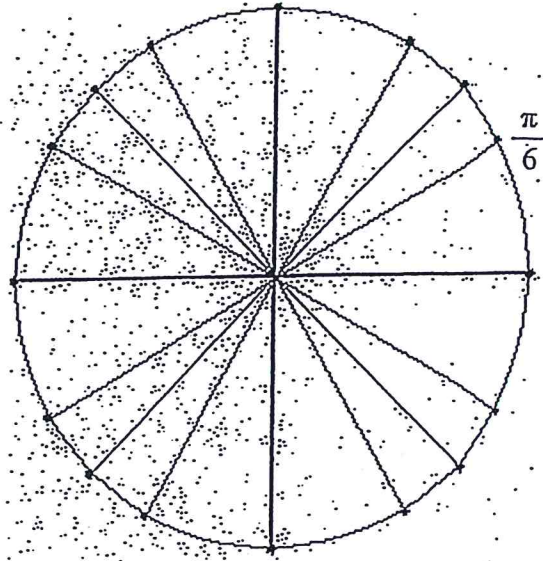


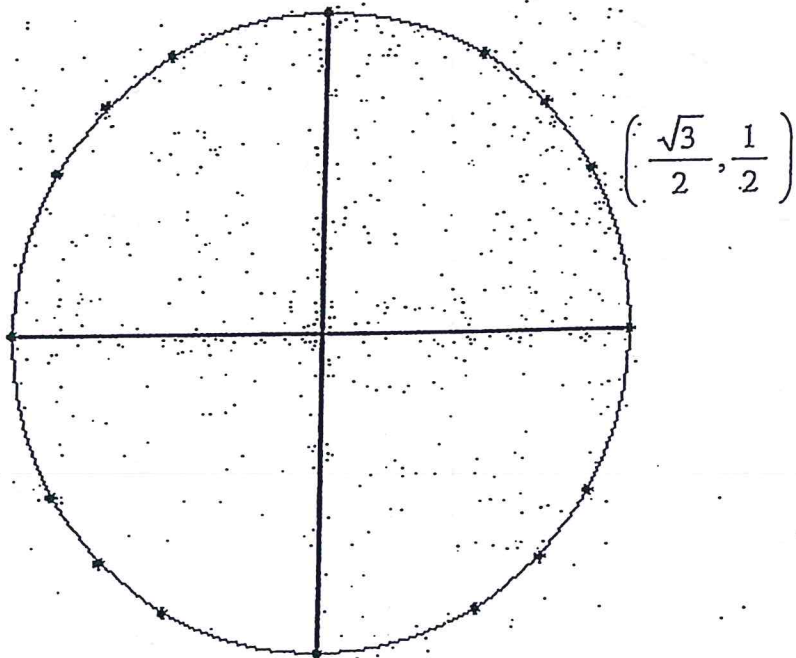
The Unit Circle



Label Each Point in DEGREES

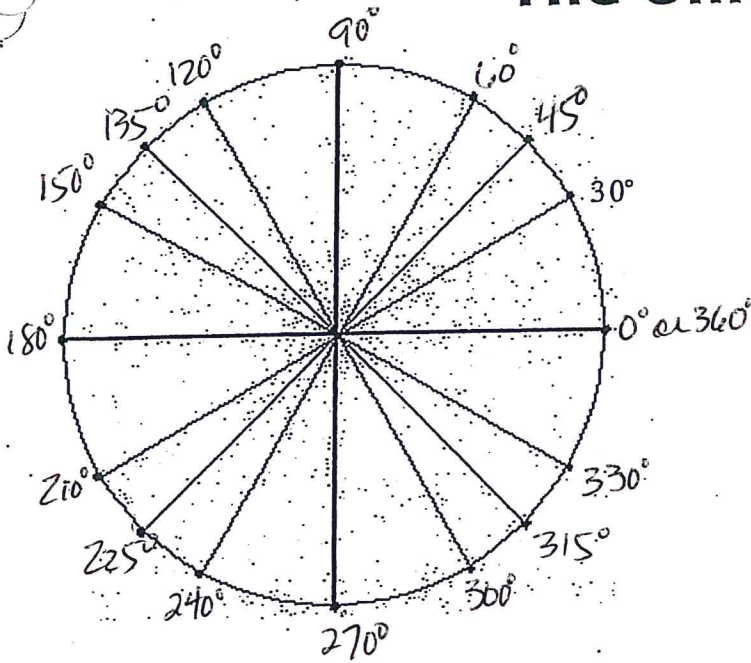


Label Each Point in RADIAN MEASURE

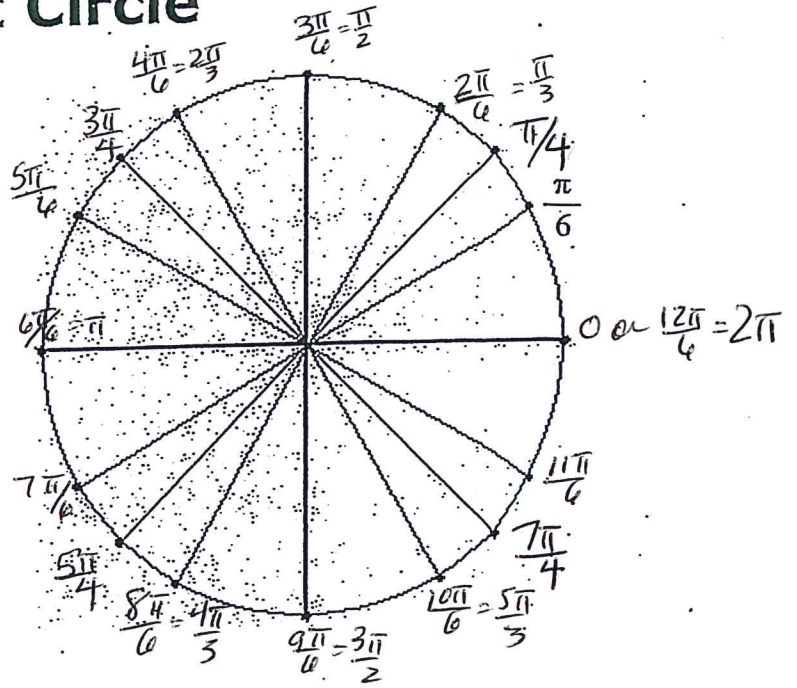


Label Each Point in (X, Y) Coordinates

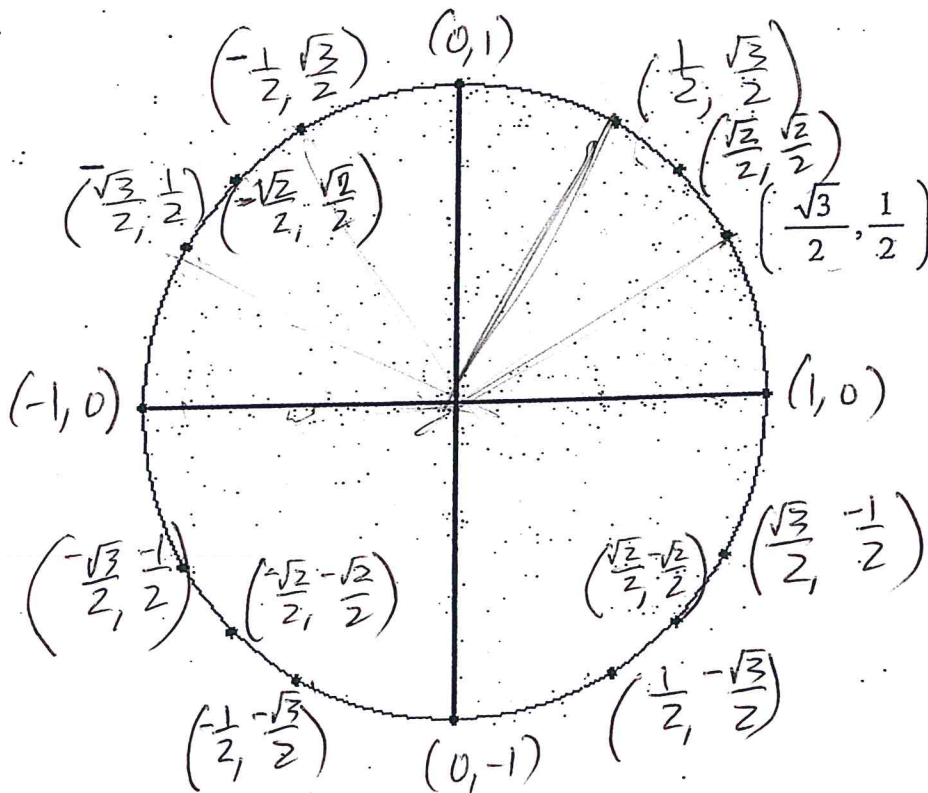
The Unit Circle



Label Each Point in DEGREES



Label Each Point in RADIAN MEASURE



Label Each Point in (X, Y) Coordinates