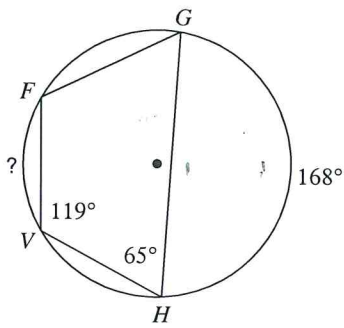
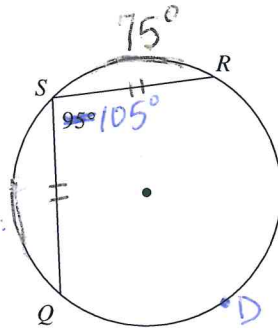


3) 9)



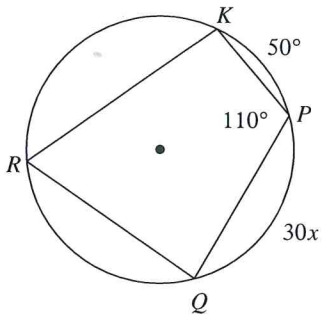
1) 10)



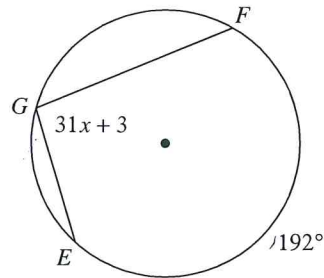
$m \widehat{SQ} = ?$
 $m \widehat{QDR} = ?$

Solve for x.

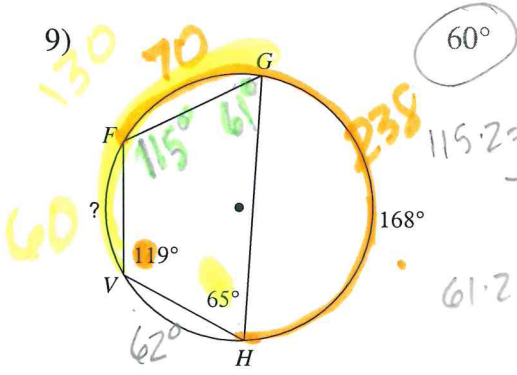
2) 11)



12)



9)

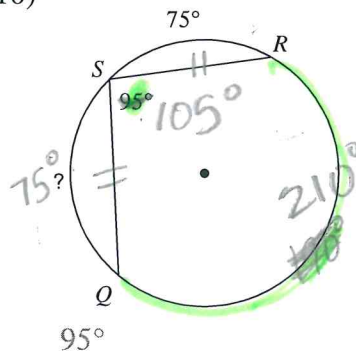


60°

$$\begin{array}{r} 115 \cdot 2 = 230 \\ - 168 \\ \hline 62 \end{array}$$

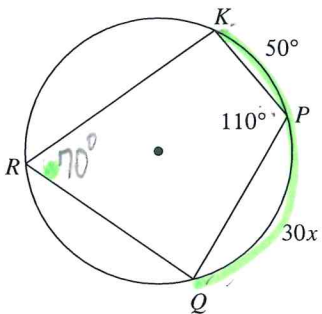
$$\begin{array}{r} 61 \cdot 2 = 122 \\ - 62 \\ \hline 60 \end{array}$$

10)



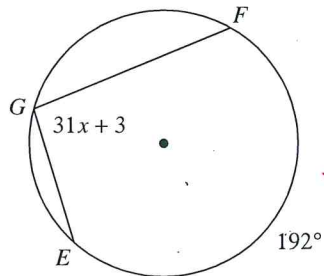
Solve for x.

11)



$$50 + 30x = 140$$

12)



3

3

Find the measure of the arc or angle indicated.